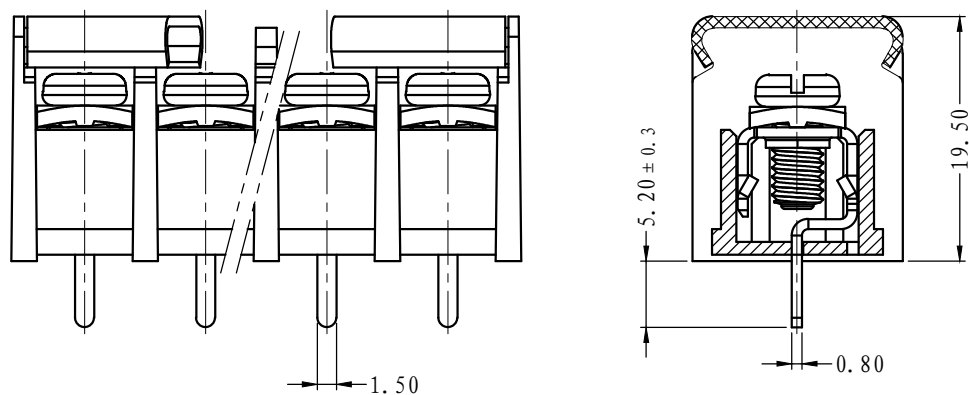


REVISION RECORD

| CONTENT | MOD. | DATE |
|---------|------|------|
| 初版发行 | | |



| | | | | | | | |
|------------------------------------------------------|-----------|----|----|----|-------|------------------------|-----------------------------------|
| 4 | LW2-9.5- | | | 01 | 1 | PC | |
| 3 | LW1C-9.5- | | | 00 | P | 黄铜 | 镀雾锡 |
| 2 | M4*8-7.5 | | S | 08 | P | 碳钢 | 三价铬钝化彩锌 |
| 1 | LW2-9.5- | | | 01 | 1 | PBT | |
| NO. | NAME OF P | | | | Q' TY | MATERIAL | NOTES |
| DES. | ARKINE | TE | 11 | 3 | MM | THIRD ANGLE PROJECTION | SHEET |
| CHK. | | TE | | | A4 | | 1 of 1 |
| APP. | | TE | | | 1:1 | DWG NO. SP-2-5013001 | REV: V0 |
| 上海联捷电子有限公司 Shanghai Elinker Electronics Co., Ltd. | | | | | | TITLE | LW2C-9.5-XXP-1N-00A LW2C-9.5-成 |