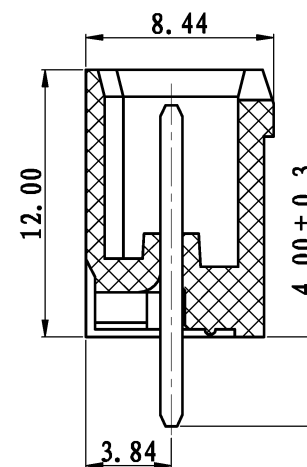
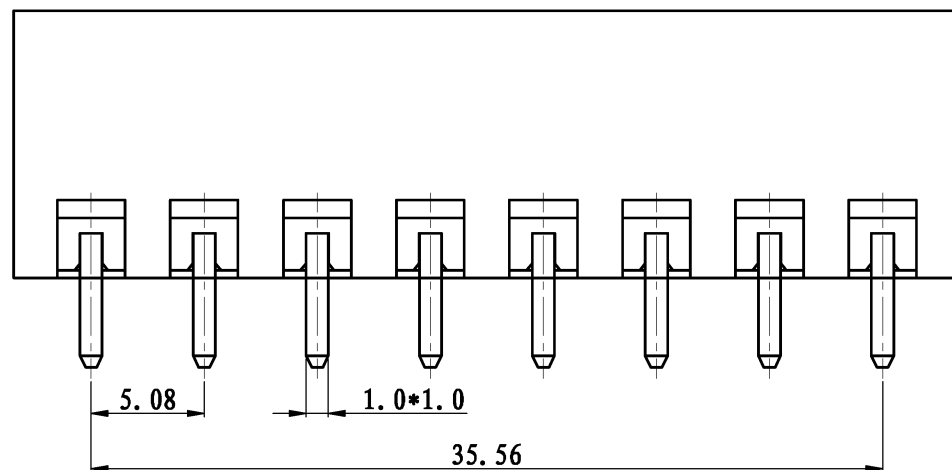
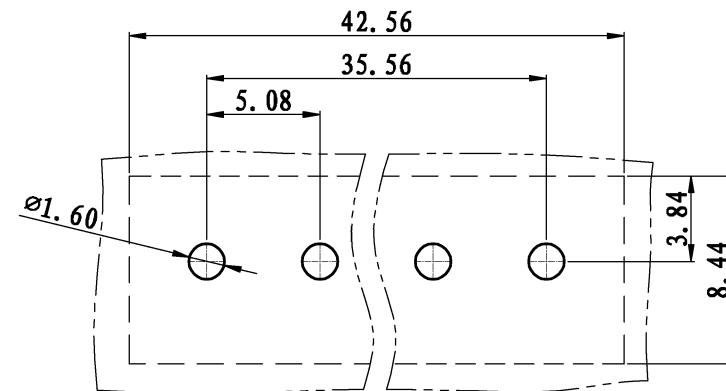
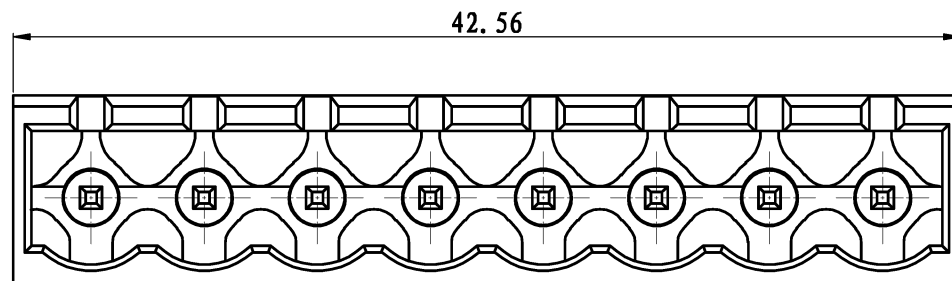


REVISION RECORD			
REV.	CONTENT	MOD.	DATE
△	初版发行		



NOTES:
 Pitch: 5.08mm
 Rated Voltage: 300V
 Rated Current: 15A
 Withstand Voltage: AC2500V for 1 minute
 Insulation Resistance: 5M Ω / DC500V
 Using Temperature Range: -40 $^{\circ}$ C ~ +105 $^{\circ}$ C

技术要求:
 间距: 5.08mm
 额定电压: 300V
 额定电流: 15A
 耐电压值: AC2500V/min
 绝缘阻抗: 5M Ω /DC500V
 使用条件: -40 $^{\circ}$ C ~ +105 $^{\circ}$ C

	pitch dimension			Nominal dimension					—
	over	over	over	over	over	over	over	over	
variable range	0 to 6	6 to 10	10 to 24	0 to 30	30 to 60	60 to 100	100 to 150	150 to	□
Tolerance	± 0.1	± 0.15	± 0.25	± 0.2	± 0.3	± 0.5	± 0.7	± 1.0	○

2	LZ1-5.08-直针(1.2)	1015B0002AV	P	黄铜	镀雾锡
1	LZ1-5.08-本体	1015A0YXXAV	1	PA66	
NO.	NAME OF PART	NO. OF PART	Q'TY	MATERIAL	NOTES
DES.	ARKINB	DATE 2010/5/20	UNITS	MM	THIRD ANGLE PROJECTION
CHK.		DATE	SIZE	A4	1 of 1
APP.		DATE	SCALE	1:1	DWG NO. SP-1-1015001 REV: T0
上海联捷电气有限公司 Shanghai Elinker Electric C.O., LTD				TITLE	LZ1V-5.08-8P-1Y-00A LZ1V-5.08-成品