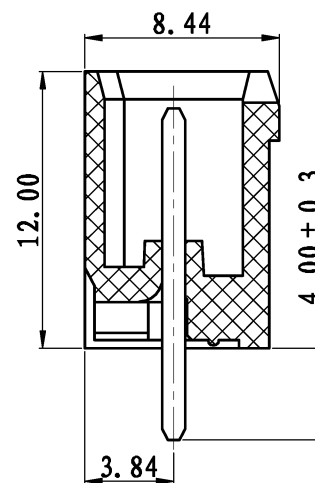
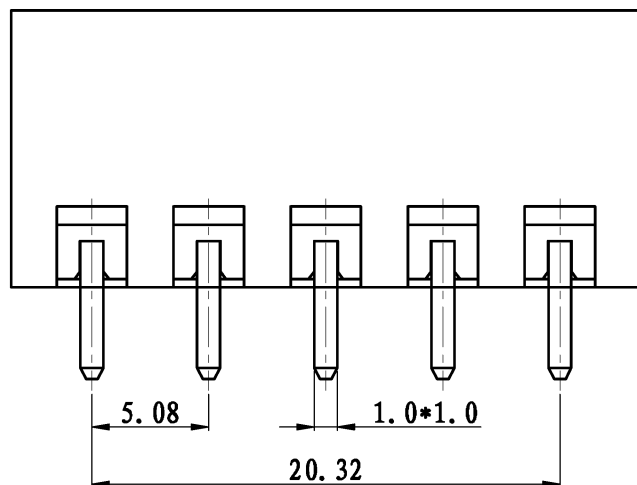
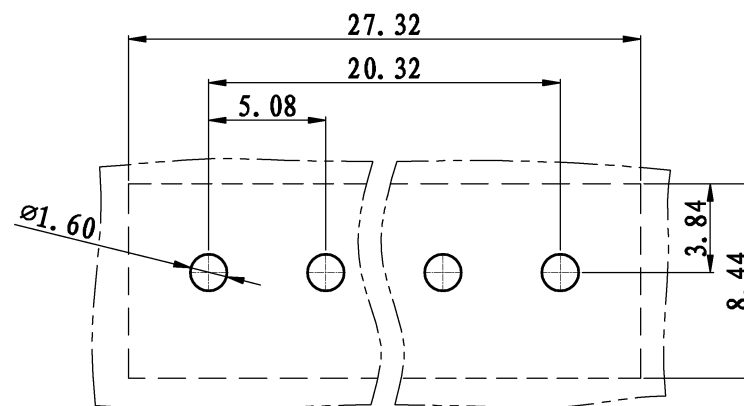
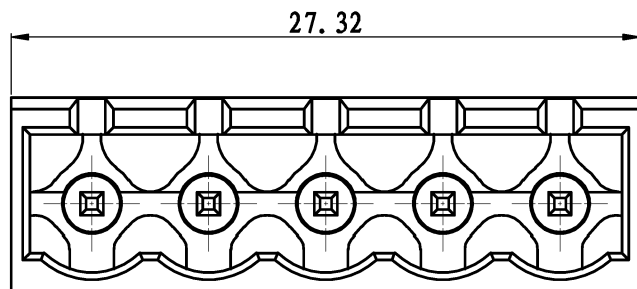



REVISION RECORD			
REV.	CONTENT	MOD.	DATE
△	初版发行		



NOTES:
Pitch: 5.08mm
Rated Voltage: 300V
Rated Current: 15A
Withstand Voltage: AC2500V for 1 minute
Insulation Resistance: 5MΩ / DC500V
Using Temperature Range: -40℃ ~ +105℃

技术要求:
间距: 5.08mm
额定电压: 300V
额定电流: 15A
耐电压值: AC2500V/min
绝缘阻抗: 5MΩ/DC500V
使用条件: -40℃ ~ +105℃

	pitch dimension			Nominal dimension					—
	over 0 to 6	over 6 to 10	over 10 to 24	over 0 to 30	over 30 to 60	over 60 to 100	over 100 to 150	0.05/10	
variable range	0 to 6	6 to 10	10 to 24	0 to 30	30 to 60	60 to 100	100 to 150	0.05/10	
Tolerance	±0.1	±0.15	±0.25	±0.2	±0.3	±0.5	±0.7	±1.0	

2	LZ1-5.08-直针(1.2)	1015B0002AV	P	黄铜	镀雾锡
1	LZ1-5.08-本体	1015A0YXXAV	1	PA66	
NO.	NAME OF PART	NO. OF PART	Q'TY	MATERIAL	NOTES
DES.	ARKINB	DATE 2010/5/20	UNITS	MM	THIRD ANGLE PROJECTION
CHK.		DATE	SIZE	A4	1 of 1
APP.		DATE	SCALE	1:1	DWG NO. SP-1-1015001 REV: T0
 上海联捷电气有限公司 Shanghai Elinker Electric C.O., LTD				TITLE	LZ1V-5.08-SP-1Y-00A
					LZ1V-5.08-成品