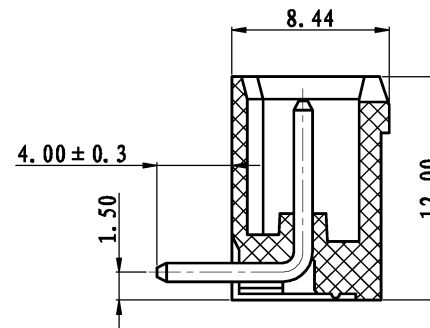
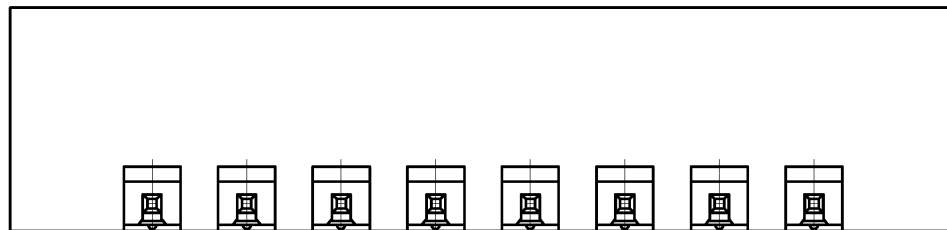
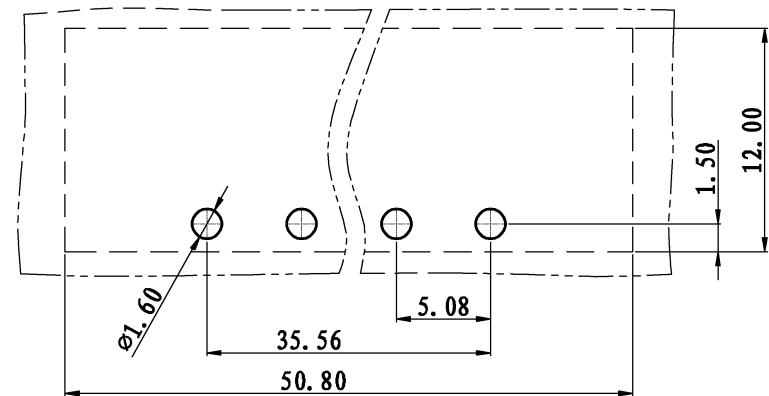
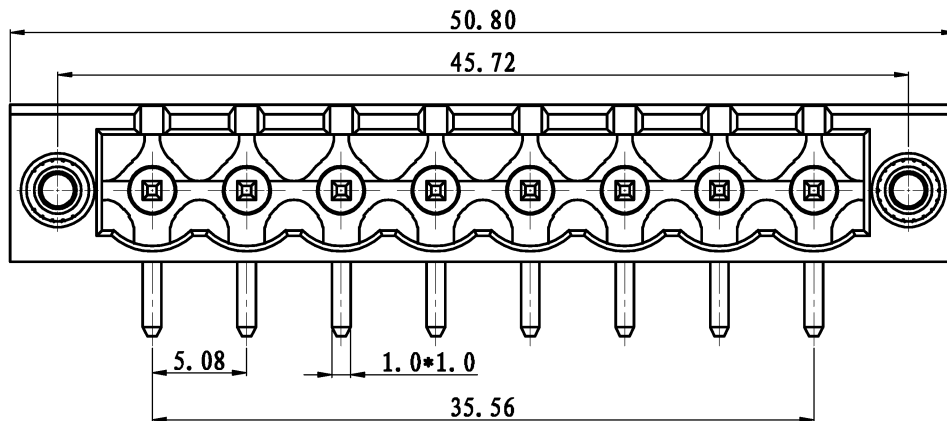


REVISION RECORD			
REV.	CONTENT	MOD.	DATE
△	初版发行		



NOTES:
 Pitch: 5.08mm
 Rated Voltage: 300V
 Rated Current: 15A
 Withstand Voltage:
 AC2500V for 1 minute
 Insulation Resistance:
 500MΩ / DC500V
 Using Temperature Range:
 -40℃ ~ +105℃

技术要求:
 间距: 5.08mm
 额定电压: 300V
 额定电流: 15A
 耐电压值: AC2500V/min
 绝缘阻抗: 500MΩ/DC500V
 使用条件: -40℃ ~ +105℃

3.	LZ1-耳朵螺母	SMO0B25000V	2	黄铜	
2.	LZ1-5.08-弯针(1.2)	1015B0001AV	P	黄铜	镀雾锡
1.	LZ1M-5.08-本体	1015M0YXXAV	1	PA66	
NO.	NAME OF PART	NO. OF PART	Q'TY	MATERIAL	NOTES
DES.	ARKINE	DATE	2010/5/20	UNITS	MM
CHK.			SIZE	A4	THIRD ANGLE PROJECTION
APP.		DATE	SCALE	1:1	DWG NO. SP-1-1015004
上海联捷电气有限公司 Shanghai Linker Electric C.O.,LTD					TITLE
					LZ1RM-5.08-8P-1Y-00A
					LZ1RM-5.08-成品

	pitch dimension			Nominal dimension					—
	over 0	over 6	over 10	over 0	over 30	over 60	over 100	over 150	
variable range	to 6	to 10	to 24	to 30	to 60	to 100	to 150		
Tolerance	±0.1	±0.15	±0.25	±0.2	±0.3	±0.5	±0.7	±1.0	0.05/10