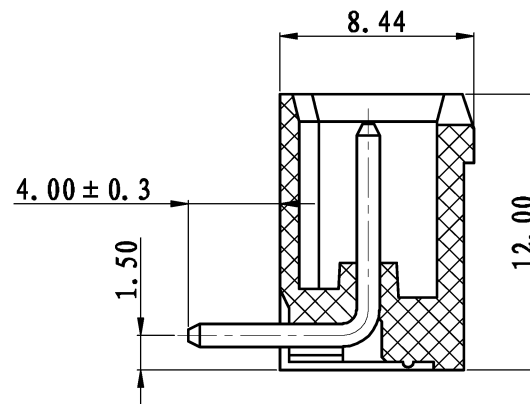
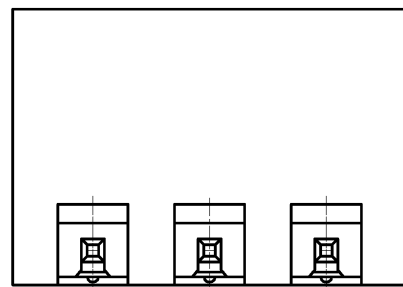
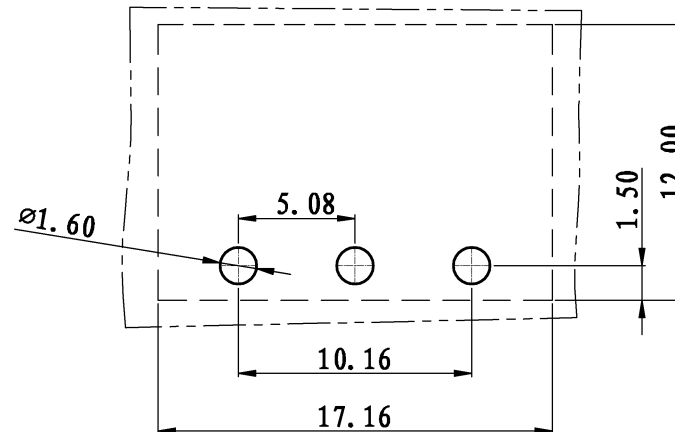
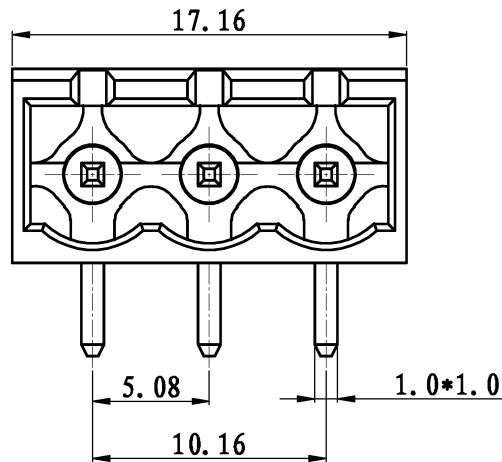


REVISION RECORD			
REV.	CONTENT	MOD.	DATE
△	初版发行		




**NOTES:**

Pitch : 5.08mm  
 Rated Voltage : 300V  
 Rated Current : 15A  
 Withstand Voltage :  
 AC2500V for 1 minute  
 Insulation Resistance :  
 1000MΩ / DC1000V  
 Using Temperature Range :  
 - 40℃ ~ + 105℃  
 Flame retardant rating:  
 V0

**技术要求:**

间距: 5.08mm  
 额定电压: 300V  
 额定电流: 15A  
 耐电压值: AC2500V/min  
 绝缘阻抗: 1000MΩ/DC1000V  
 使用条件: -40℃ ~ +105℃  
 阻燃等级: V0

	pitch dimension			Nominal dimension					— /
	over 0 to 6	over 6 to 10	over 10 to 24	over 0 to 30	over 30 to 60	over 60 to 100	over 100 to 150	over 150	
variable range	0	6	10	0	30	60	100	150	□
Tolerance	±0.1	±0.15	±0.25	±0.2	±0.3	±0.5	±0.7	±1.0	○

2	LZ1-5.08-弯针	1015B0001AV	P	黄铜	镀雾锡
1	LZ1-5.08-本体	1015A0YXXAV	1	PA66	
NO.	NAME OF PART	NO. OF PART	Q' TY	MATERIAL	NOTES
DES.	ARKINE	DATE	2010/5/20	UNITS	MM
CHK.		DATE		SIZE	A4
APP.		DATE		SCALE	1:1
				DWG NO.	SP-2-1015002
				REV:	T0
 <b>上海联捷电气有限公司</b> Shanghai Blinker Electric C.O,LTD				TITLE	LZ1R-5.08-3P-1Y-00A
					LZ1R-5.08-成品