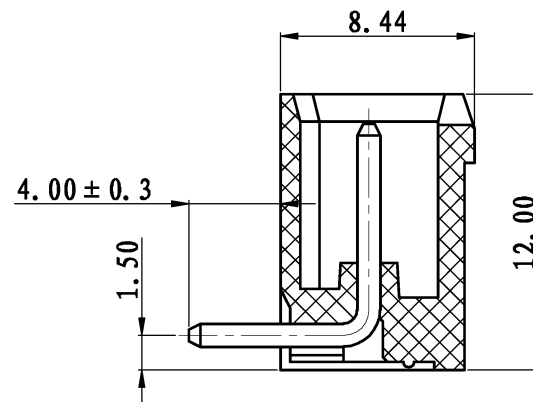
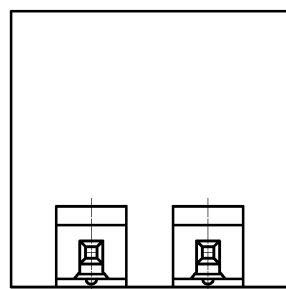
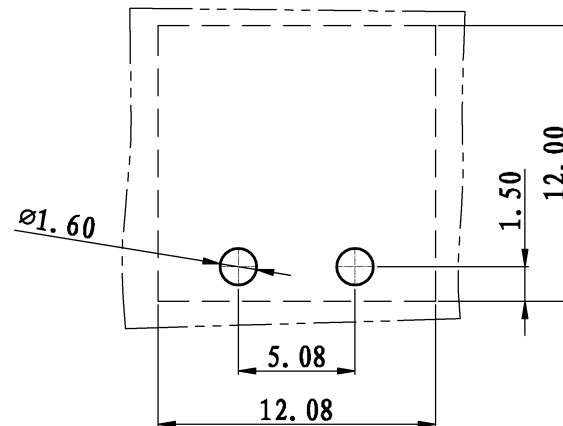
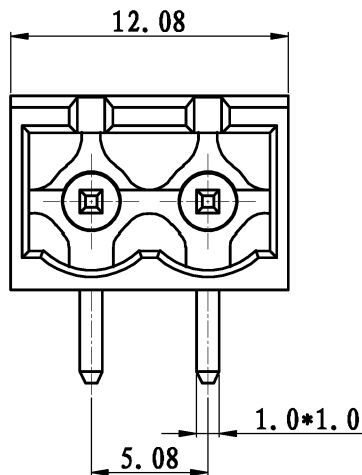


REVISION RECORD			
REV.	CONTENT	MOD.	DATE
△	初版发行		




NOTES:

Pitch : 5.08mm
 Rated Voltage : 300V
 Rated Current : 15A
 Withstand Voltage :
 AC2500V for 1 minute
 Insulation Resistance :
 1000M Ω / DC1000V
 Using Temperature Range :
 - 40 $^{\circ}$ C ~ + 105 $^{\circ}$ C
 Flame retardant rating:
 V0

技术要求:

间距: 5.08mm
 额定电压: 300V
 额定电流: 15A
 耐压值: AC2500V/min
 绝缘阻抗: 1000M Ω /DC1000V
 使用条件: -40 $^{\circ}$ C ~ +105 $^{\circ}$ C
 阻燃等级: V0

	pitch dimension			Nominal dimension					—
	over 0 to 6	over 6 to 10	over 10 to 24	over 0 to 30	over 30 to 60	over 60 to 100	over 100 to 150	—	
variable range	0 to 6	6 to 10	10 to 24	0 to 30	30 to 60	60 to 100	100 to 150	—	□
Tolerance	±0.1	±0.15	±0.25	±0.2	±0.3	±0.5	±0.7	±1.0	○

2	LZ1-5.08-弯针	1015B0001AV	P	黄铜	镀雾锡
1	LZ1-5.08-本体	1015A0YXXAV	1	PA66	
NO.	NAME OF PART	NO. OF PART	Q' TY	MATERIAL	NOTES
DES.	ARKINE	DATE	2010/5/20	UNITS	MM
CHK.	DATE	SIZE	A4	THIRD ANGLE PROJECTION	
APP.	DATE	SCALE	1:1	DWG NO.	SP-2-1015002
 上海联捷电气有限公司 Shanghai Blinker Electric C.O,LTD				TITLE	LZ1R-5.08-2P-1Y-00A
					LZ1R-5.08-成品