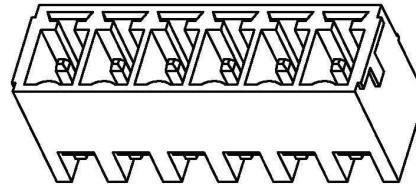
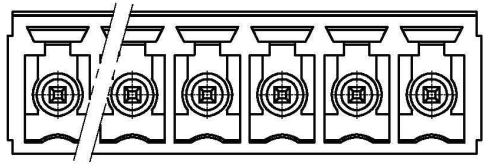
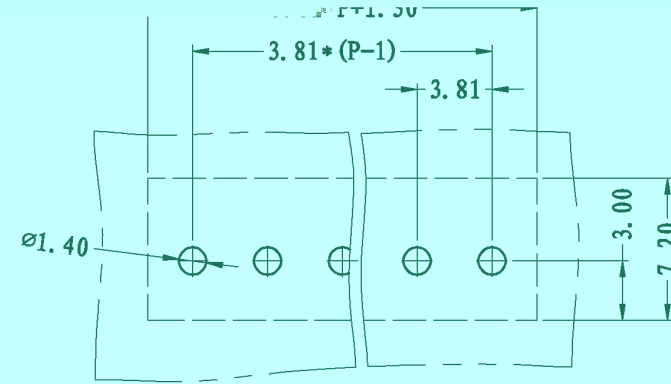
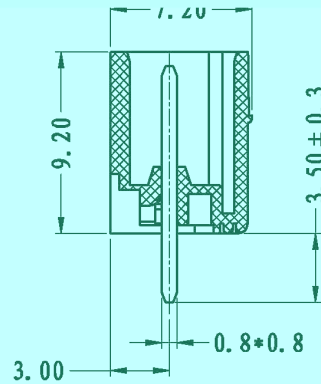
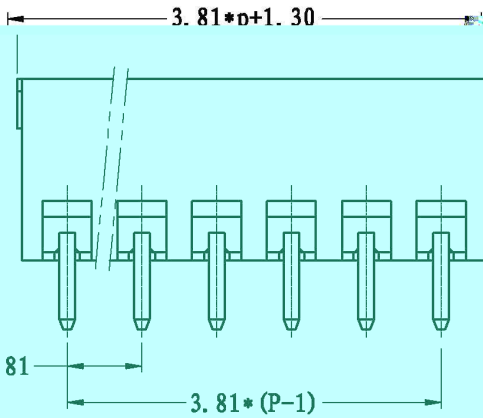


REVISION		RECORD	
REV.	CONTNT	MOD.	DATE
△	初版发行		



NOTES:
 Pitch: 3.81mm
 Rated Voltage: 300V
 Rated Current: 8 A
 Withstand Voltage:
 AC2500V for 1 minute
 Insulation Resistance:
 5MΩ / DC500V
 Using Temperature Range:
 -40°C ~ +105°C

技术要求:
 间距: 3.81mm
 额定电压: 300V
 额定电流: 8A
 耐电压值: AC2500V/min
 绝缘阻抗: 5MΩ/DC500V
 使用条件: -40°C ~ +105°C



	pitch dimension			Nominal dimension					—
	over 0	over 6	over 10	over 0	over 30	over 60	over 100	over 150	
variable range	to 6	to 10	to 24	to 30	to 60	to 100	to 150		□
Tolerance	±0.1	±0.15	±0.25	±0.2	±0.3	±0.5	±0.7	±1.0	○

2	LZ1-3.81-直针	1003B0001AV	P	黄铜	镀雾锡
1	LZ1-3.81-本体	1003A0YXXAV	1	PA66	
NO.	NAME OF PART	NO. OF PART	Q'TY	MATERIAL	NOTES
DES.	ARKINE	DATE	2010/7/21	UNITS	MM
CHK.		DATE		SIZE	A4
APP.		DATE		SCALE	1:1
				DWG NO.	SP-2-1003003
				REV.	TO
上海联捷电气有限公司 Shanghai Hlinker Electric C.O.,LTD				TITLE	LZ1V-3.81-XP-1Y-00A LZ1V-3.81-成品