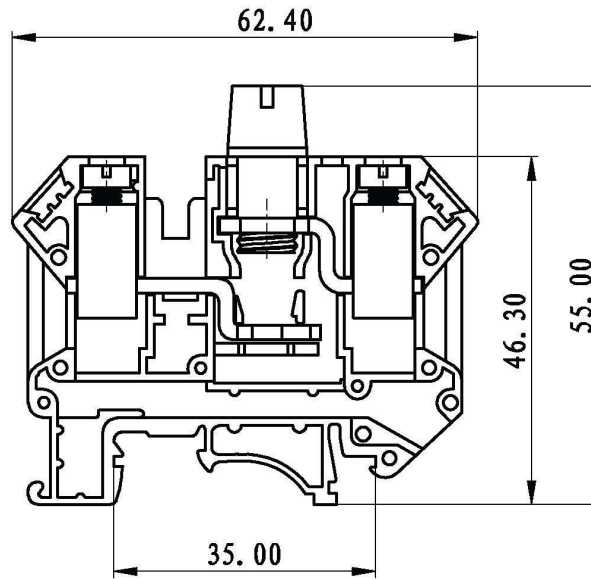
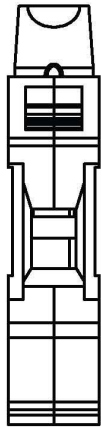
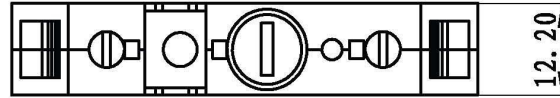


REVISION RECORD			
REV.	CONTENT	MOD.	DATE
▲	初版发行		



技术要求:
 极数: 组装
 额定电压: 800V
 额定电流: 10A
 螺钉类型/扭力: M4/1.5-1.8
 绝缘材料类型: PA
 阻燃等级: V0
 柔性导线: 0.5-16mm²

TOLERANCES EXCEPT AS NOTED

linear dimension	fillet	character	slot	angle	std	mm	mm	mm	mm	mm	mm	mm
variable	over 6	over 30	over 136	over 160	over 2	over 10	over 50	over 100	over 5	over 30	over 100	

NO.	NAME OF PART	NO. OF PART	QTY	MATERIAL	NOTES
6	UK10-DRHESI-保险丝头	6069B00030V	1		配件
5	UK10-DRHESI-方块	F000000470V	2	黄铜	镀镍
4	UK10-DRHESI-螺丝	SSM0400040V	2	碳钢	镀镍
3	UK10-DRHESI-下导电件	6069B00002V	1	黄铜	镀镍
2	UK10-DRHESI-上导电件	6069B00001V	1	黄铜	镀镍
1	UK10-DRHESI-本体	6069A3001AV	1	PA	黑色

DES.	LDD	DATE	2012/09/17	UNITS	mm	THIRD ANGLE PROJECTION	SHEET
CHK		DATE		SIZE	A4		1 of 1