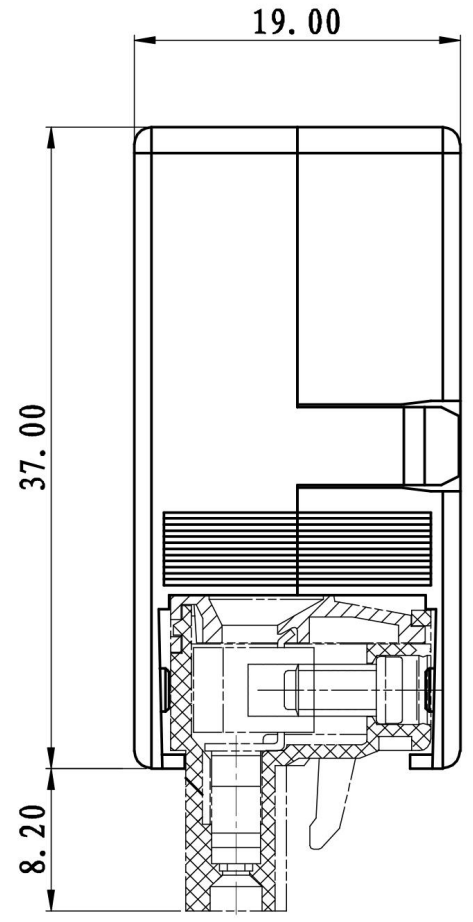
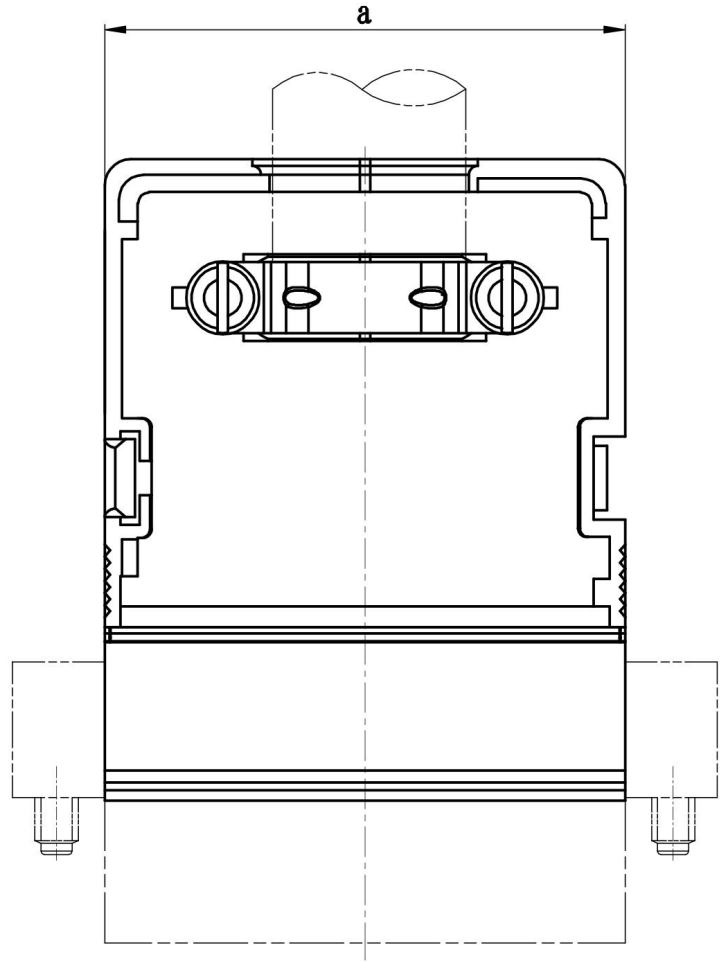


REVISION RECORD			
REV.	CONTENT	MOD.	DATE
①	初版发行		



	pitch dimension			Nominal dimension					—
	over	over	over	over	over	over	over	over	
variable	0	6	10	0	30	60	100	150	↙
range	to	to	to	to	to	to	to	to	
	6	10	24	30	60	100	150	—	↘
Tolerance	±0.1	±0.15	±0.25	±0.2	±0.3	±0.5	±0.7	±1.0	

1	LZ6-5.08-XXP-140-00A		1	PA66	
NO.	NAME OF PART	NO. OF PART	QTY	MATERIAL	NOTES
LDBS	LDD	DATE	17/03/20	UNITS	MM
CHK.	DATE	SIZE	A4	THIRD ANGLE PROJECTION	SHEET
APP.	DATE	SCALE	1:1	DWG NO.	SP-2-1046A03
上海联捷电气有限公司 Shanghai Elinker Electric C.O.,LTD				TITLE	LZ6-5.08-XXP-140-00A
					LZ6-5.08-XXP-成品