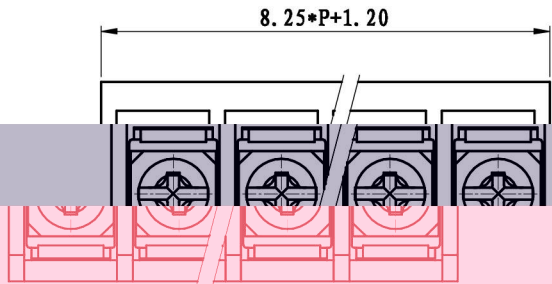


REVISION		RECORD	
REV.	CONTENT	MOD.	DATE
▲	初版发行		

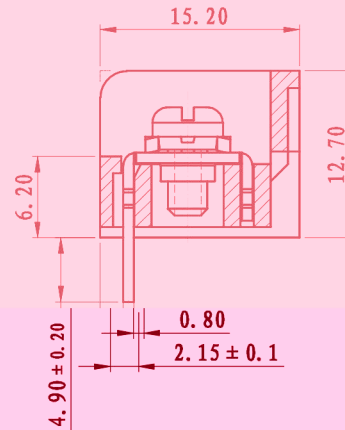
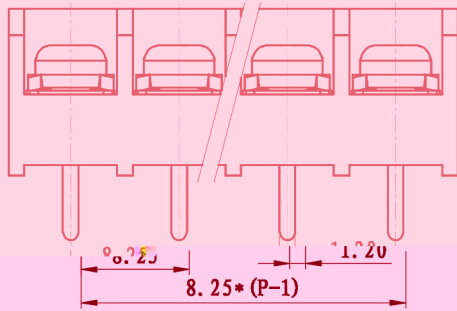


NOTES:
 Pitch : 8.25mm
 Rated Voltage : 300V
 Rated Current : 20A
 Withstand Voltage :
 AC2500V for 1 minute
 Insulation Resistance :

技术要求:
 间距: 8.25mm
 额定电压: 300V
 额定电流: 20A
 耐电压值: AC2500V/min

500MΩ / DC500V
 Using Temperature Range :
 -40℃ ~ +130℃
 Wire range : 22-12 AWG
 Screw Torque Value : M3/ 0.5Nm

绝缘阻抗: 500MΩ/DC500V
 使用条件: -40℃~+130℃
 适用线规: 22-12 AWG
 螺丝扭矩: M3/0.5Nm



3.	M3*6 (6.5*6.5)	SQFFA306033V	P	碳钢	镀镍
2.	LW3R-8.25-焊脚	5001MOYXXAV	P	黄铜	镀锡

1.	LW3M-8.25-本体	5001MOYXXAV	1	PBT	
NO.	NAME OF PART	NO. OF PART	QTY	MATERIAL	REMARKS

	over	over	over	over	over	over	over	over	
variable range	0 to 6	6 to 10	10 to 24	0 to 30	30 to 60	60 to 100	100 to 150		□
tolerance	±0.1	±0.15	±0.25	±0.2	±0.3	±0.5	±0.7	±1.0	○

CHK.	DATE	SIZE	A4	1 of 1	
APP.	DATE	SCALE	1:1	DWG NO.	SP-2-5001002 REV: V0
上海联捷电气有限公司 Shanghai Hlinker Electric C.O., LTD				TITLE	LW3A-8.25-XP-1Y-00A LW3A-8.25-成品