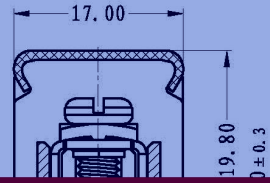
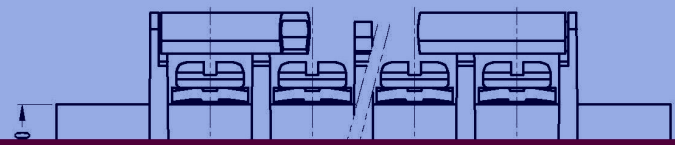
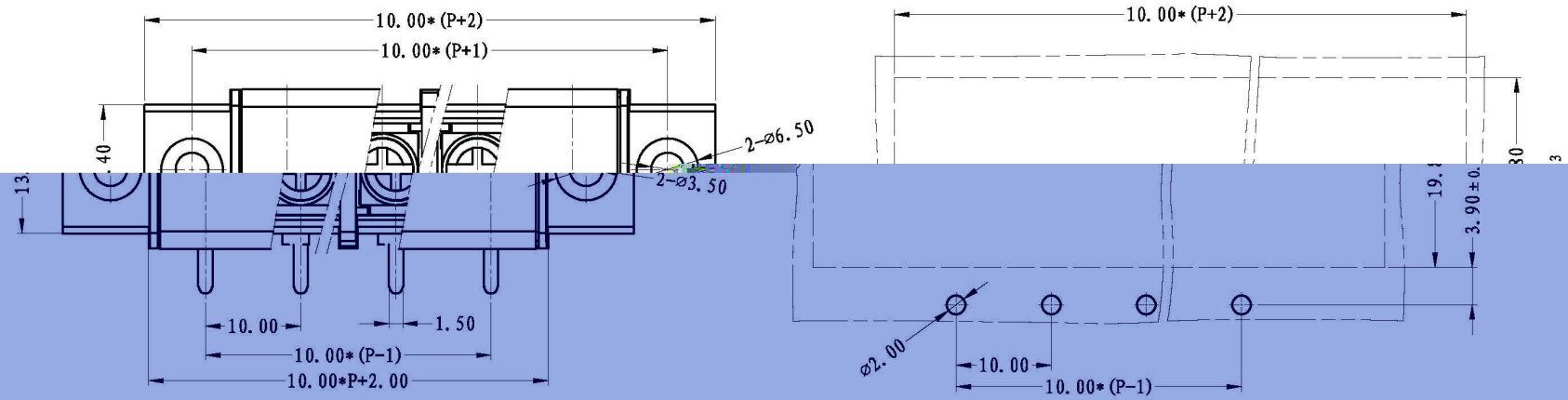


REVISION RECORD			
REV.	CONTENT	MOD.	DATE
①	初版发行		



NOTES:
 Pitch: 10.0mm
 Rated Voltage: 300V
 Rated Current: 20 A
 Withstand Voltage:
 AC2500V for 1 minute
 Insulation Resistance:
 5MΩ / DC500V

技术要求:
 间距: 10.0mm
 额定电压: 300V
 额定电流: 20A
 耐电压值: AC2500V/min
 绝缘电阻: 5MΩ / DC500V