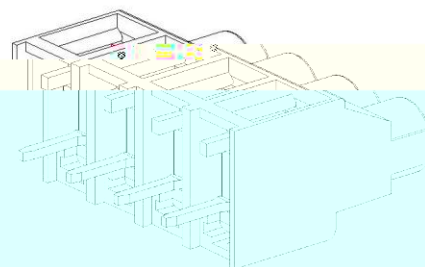
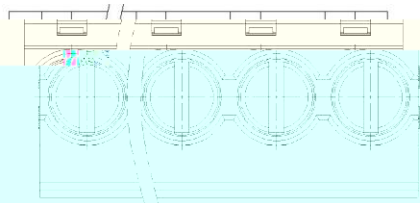


REVISION		RECORD	
REV.	CONTENT	MOD.	DATE
①	新发行		

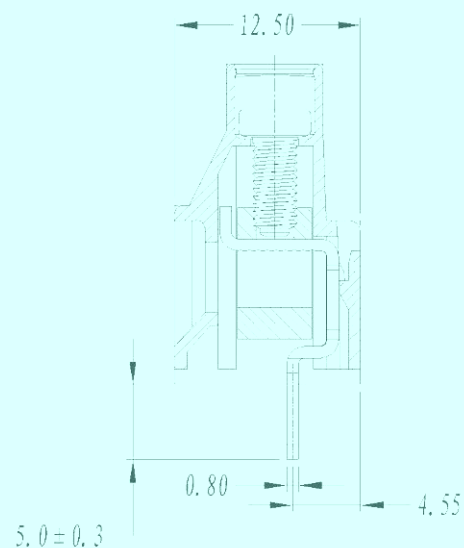
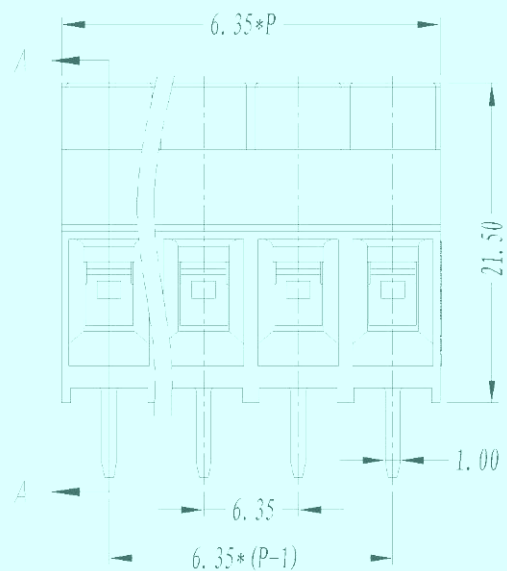


NOTES:

1. Voltage Rating: 300V, Current Rating: 30A
2. PITCH: 6.35mm
3. Insulation Withstands Voltage: AC2500V/min
4. Insulation Resistance: 5000MΩ or more at DC1000V
5. Using Temperature Range: -40° C - +105° C
6. Suitable Electric Wire: AWG 24-10
7. Screw Torque Value: 0.5Nm

技术要求:

1. 额定电压: 300V, 额定电流: 30A
2. 间距: 6.35mm
3. 耐压值: AC 2500V/min
4. 绝缘阻抗: 5000兆欧
5. 使用条件: -40° - +105°
6. 适用线规: AWG 24-10
7. 螺丝扭矩: 0.5Nm



4	LG636-铜方块	F00000040V	P	黄铜	镀锌
3	LG636-螺丝	SSM0300030V	P	碳钢	三价钝化彩锌
2	LG636-螺母	2013B00010V	P	黄铜	镀锡
1	LG635-6.35-本体	2016A07XXAV	1	PA66-V0	
NO	NAME OF PART	NO. OF PART	QTY	UNIT	

TERMINALS EXCEPT AS NOTED

