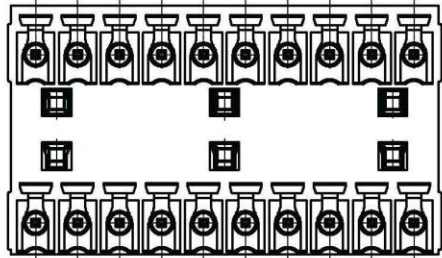
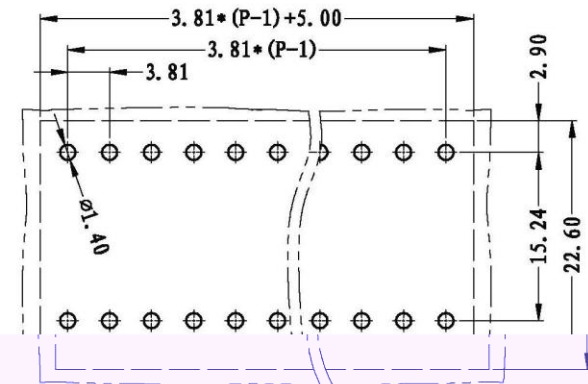
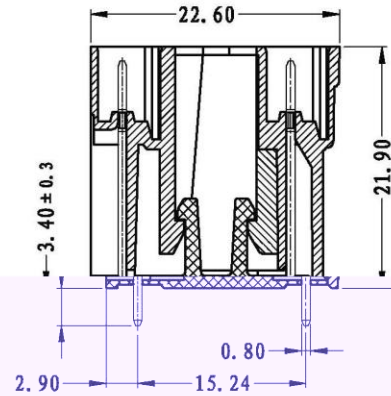
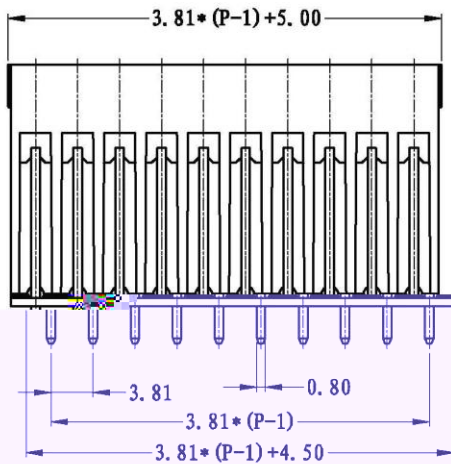


REVISION RECORD			
REV.	CONTENT	MOD.	DATE
△	初版发行		



**NOTES:**  
 Pitch : 3.81mm  
 Rated Voltage : 300V  
 Rated Current : 8 A  
 Withstand Voltage :  
 AC2500V for 1 minute  
 Insulation Resistance :  
 5MΩ / DC500V  
 Using Temperature Range :  
 -40℃ ~ +105℃

**技术要求:**  
 间距: 3.81mm  
 额定电压: 300V  
 额定电流: 8A  
 耐电压值: AC2500V/min  
 绝缘阻抗: 5MΩ/DC500V  
 使用条件: -40℃~+105℃



NO.	NAME OF PART	NO. OF PART	Q'TY	MATERIAL	NOTES
3.	LZ3H-3.81-直针	1004B0002AV	2P	黄铜	镀厚锡
2.	LZ3H-3.81-盖板	1004C0YXXAV	1	PA66-V0	
1.	LZ3H-3.81-本体	1004A0YXXAV	1	PA66-V0	

pitch dimension	Naminal dimension
over 0.05	over 0.05

APP. DATE SCALE 1:1 DWG NO. SP-2-1004003 REV:Y0