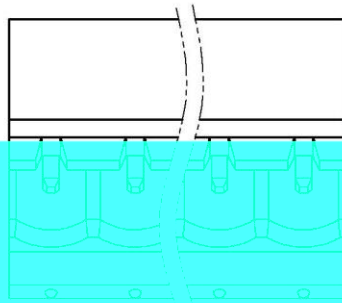
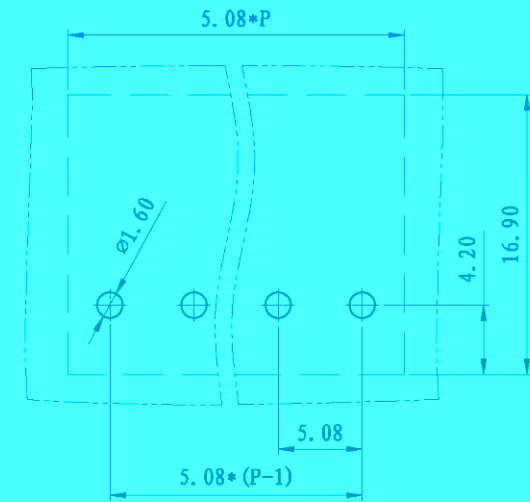
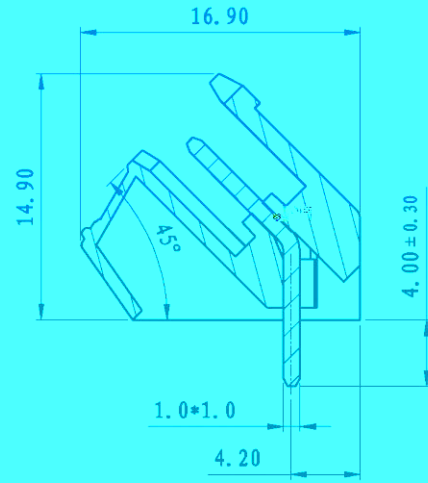
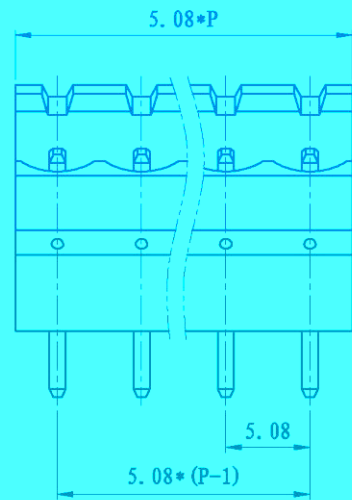


REVISION RECORD			
REV.	CONTENT	MOD.	DATE
1	初版发行		



NOTES:
 Pitch : 5.08mm
 Rated Voltage : 300V
 Rated Current : 15A
 Withstand Voltage :
 AC2500V for 1 minute
 Insulation Resistance :
 5MΩ / DC500V
 Using Temperature Range :
 -40℃ ~ +105℃

技术要求:
 间距: 5.08mm
 额定电压: 300V
 额定电流: 15A
 耐电压值: AC2500V/min
 绝缘阻抗: 5MΩ/DC500V
 使用条件: -40℃~+105℃



	pitch dimension			Nominal dimension					—
	over 0	over 6	over 10	over 0	over 30	over 60	over 100	over 150	
variable range	to 6	to 10	to 24	to 30	to 60	to 100	to 150		□
									○

tolerance [±0.1 | ±0.15 | ±0.25 | ±0.2 | ±0.3 | ±0.5 | ±0.7 | ±1.0 | 0.05/10]

2	LZ2D-5.08-针	1042B0001AV	P	黄铜	镀雾锡
1	LZ2DK-5.08-主体	1042K0YXXAV	1	PA66	
NO.	NAME OF PART	NO. OF PART	Q'TY	MATERIAL	NOTES
DBS.	XLM	DATE	2012/4/27	UNITS	MM
CHK.		DATE		SIZE	A4
APP.		DATE		SCALE	1:1
				DWG NO.	SP-2-1042001
				REV:	V0
				LZ2DK-5.08-XXP-1Y-00A	
				LZ2DK-5.08-成品	

上海联捷电气有限公司
 Shanghai Blinker Electric C.O.,LTD