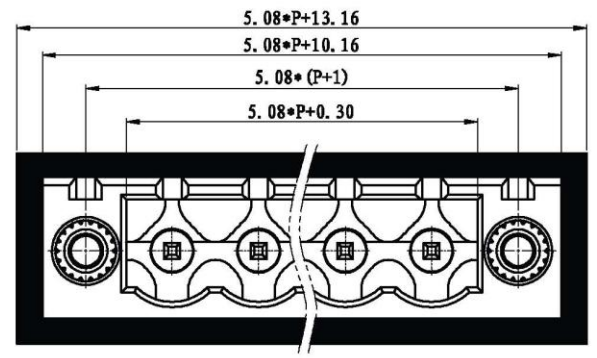
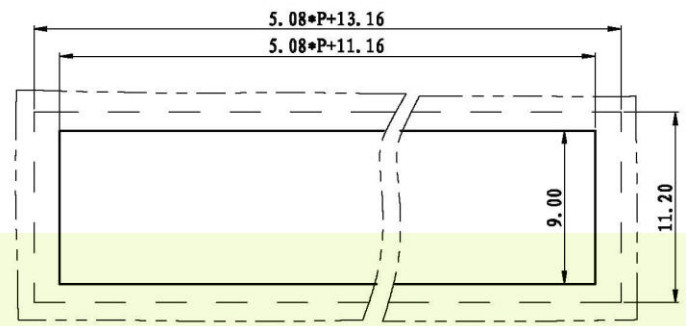
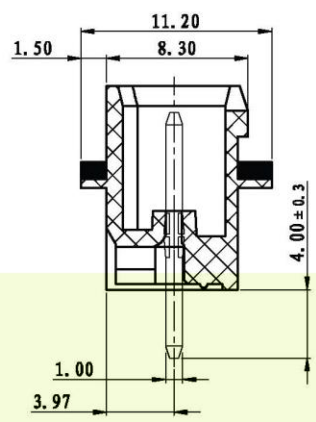
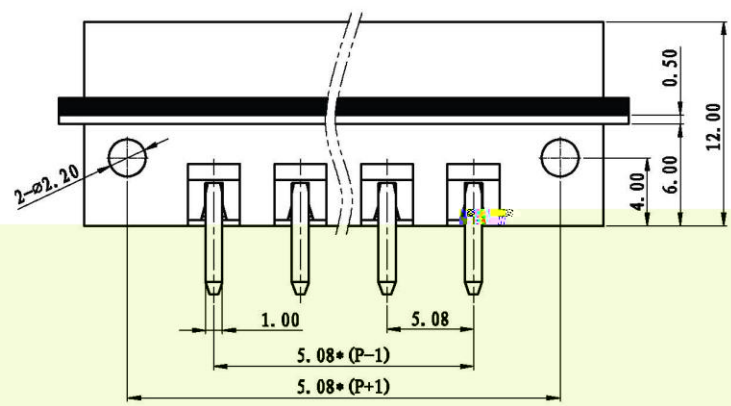


REVISION RECORD			
REV.	CONTENT	MOD.	DATE
△	初版发行		



**NOTES:**  
 Pitch : 5.08mm  
 Rated Voltage : 300V  
 Rated Current : 15 A  
 Withstand Voltage :  
 AC2500V for 1 minute  
 Insulation Resistance :  
 5MΩ / DC500V  
 Using Temperature Range :  
 -40℃ ~ +105℃

**技术要求:**  
 间距: 5.08mm  
 额定电压: 300V  
 额定电流: 15A  
 耐电压值: AC2500V/min  
 绝缘阻抗: 5MΩ/DC500V  
 使用条件: -40℃~+105℃



	pitch dimension			Nominal dimension					—
	over 0	over 6	over 10	over 0	over 30	over 60	over 100	over 150	
variable range	to 6	to 10	to 24	to 30	to 60	to 100	to 150		▱
Tolerance	±0.1	±0.15	±0.25	±0.2	±0.3	±0.5	±0.7	±1.0	0.05/10

4	密封圈	DMFQ00001AV	1	EVA板材	环保
3	LZ1-耳朵螺母	SM01B350000V	2	黄铜	
2	LZ1-5.08-直针	1015B0001AV	P	黄铜	镀锡
1	LZ1FVM-5.08-本体	1020M0YK1AV	1	PA66-70	
NO.	NAME OF PART	NO. OF PART	Q'TY	MATERIAL	NOTES
DES.	YTX	DATE	2014/5/19	UNITS	MM
CHK.		DATE		SIZE	A4
APP.		DATE		SCALE	1:1
				DWG NO.	SP-2-1020001
				REV.	V0
上海联捷电气有限公司 Shanghai Blinker Electric C.O.,LTD				TITLE	LZ1FVM-5.08-XP-1Y-00A LZ1FVM-5.08-成品