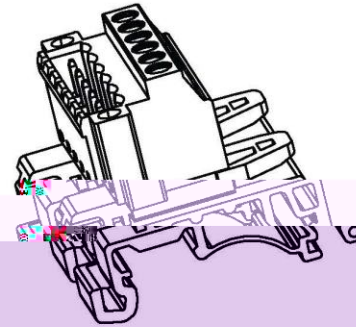
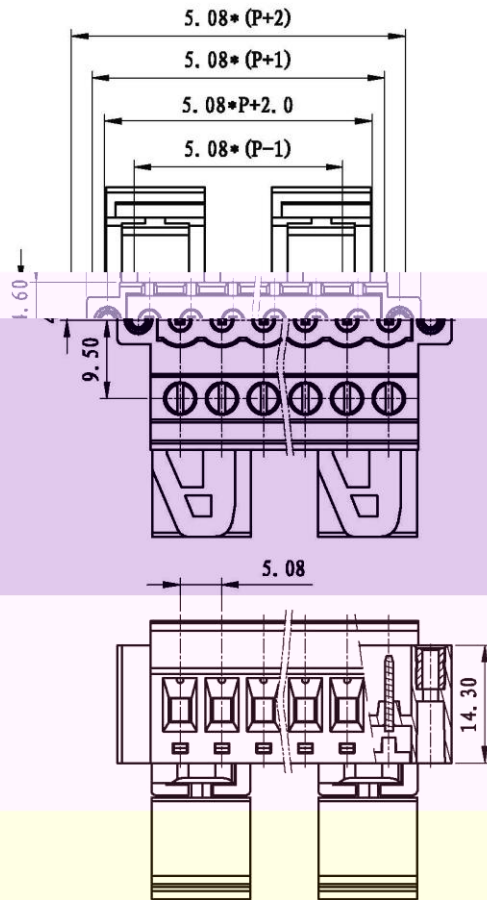
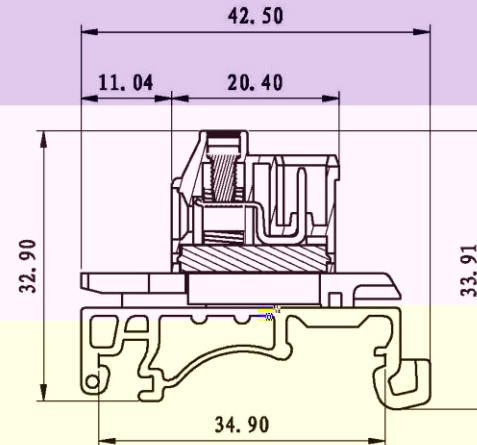


REVISION RECORD			
REV.	CONTENT	MOD.	DATE
△	组装时容易出现断裂, 加筋	ZSH	2015/02/07



NOTES:

Pitch: 5.08mm Pole: 2-24P
 Rated Voltage: 300V
 Rated Current: 15A
 Withstand Voltage: AC2500V for 1 minute
 Insulation Resistance : 5MΩ/DC500V
 Using Temperature Range : -40° →+150°
 Wire range : 24-12 AWG
 Screw Torque Value : 0.5 N.m



技术要求:

间距: 5.08mm 板数: 2-24P
 额定电压: 300V
 额定电流: 15A
 耐电压值: AC 2500V/min
 绝缘阻抗: 5MΩ
 使用条件: -40℃ →+105℃
 适用线规: 24-12AWG
 螺丝扭矩: 0.5 N.m

7	LZ-耳朵螺母	SM01B35000V	2	黄铜	
6	LC18-5.08方针	1047B0001AV	P	紫铜	镀锡
5	LC1-5.08方块	F1A0B1C5083V	P	黄铜	镀镍
4	LC1-5.08-螺丝	SP0YA305301V	P	黄铜	三价镀铬

备注: 1线只使用一个脚并打在正中间, 5-24线使用2个脚

pitch dimension	Nominal dimension							
	over 0	over 6	over 10	over 0	over 30	over 60	over 100	over 150
variable range	to	to	to	to	to	to	to	to

3	LC16脚	1045A0YXXAV	1-2	PA66-V0	
2	LC19U-5.08-盖板	1050C0YXXAV	1	PA66-V0	
1	LC19DM-5.08主体	1050M0YXXAV	1	PA66-V0	
NO.	NAME OF PART	NO. OF PART	QTY	MATERIAL	NOTE
DES.	LDD	DATE	2012/05/19	UNITS	mm
CHK	DATE	SIZE	A4		THIRD ANGLE PROJECTION

