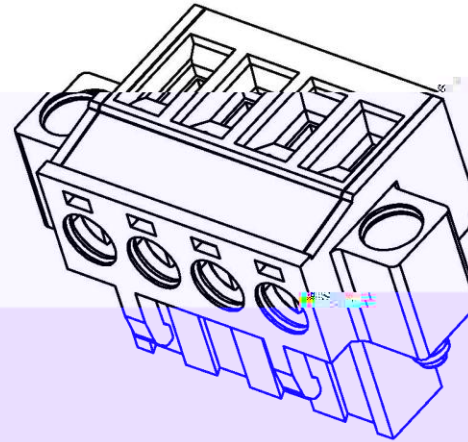
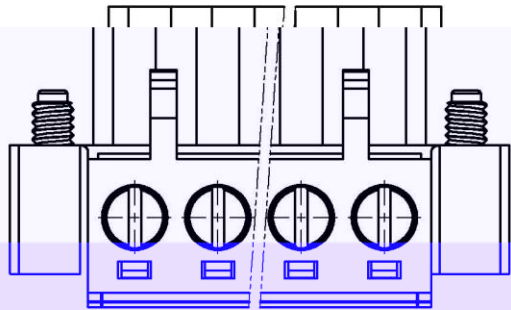
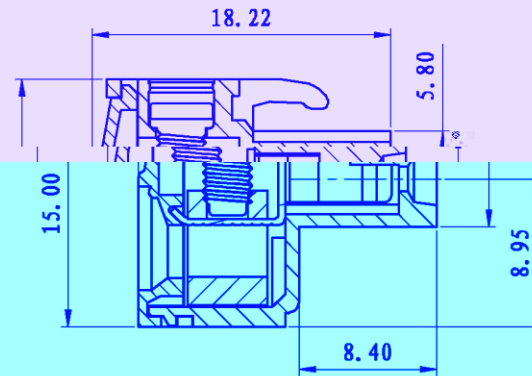
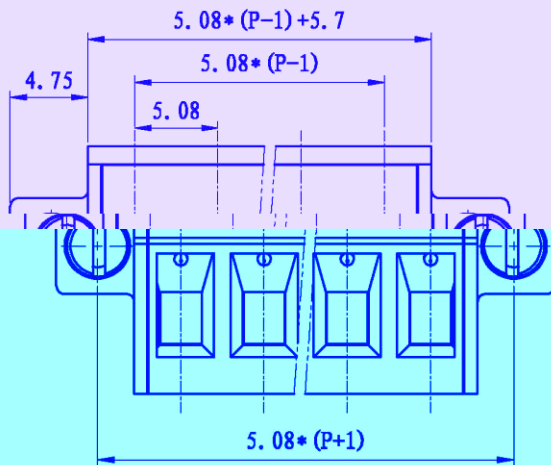


REVISION RECORD			
REV.	CONTENT	MOD.	DATE
△	新发行		



NOTES:
 Pitch : 5.08mm
 Rated Voltage : 300 V
 Rated Current : 15 A
 Withstand Voltage :
 AC2500V for 1 minute
 Insulation Resistance :
 5MΩ / DC500V
 Using Temperature Range :
 -40℃ ~ +105℃
 Wire range : 24~12 AWG
 Screw Torque Value : 0.5N.m



技术要求:
 间距: 5.08mm
 额定电压: 300V
 额定电流: 15A
 耐电压: AC2500V/1min
 绝缘阻抗: 5MΩ/DC500V
 使用条件: -40℃~+105℃
 适用线规: 24~12AWG
 螺丝扭矩: 0.5N.m

	pitch dimension			Nominal dimension				—
	over	over	over	over	over	over	over	
variable	0	6	10	0	30	60	100	150
range	to	to	to	to	to	to	to	to
	6							

6	LC1-耳朵螺丝	SPOYA255101V	2	碳钢	三价铬钝化彩锌
5	LC1-5.08-盖板	1001COYXXAV	1	PA66	UL94, V-0
4	LC1-5.08-螺丝	SPOYA305301V	P	碳钢	三价铬钝化彩锌
3	LC1-5.08-铜方块	F1A0BLC5083V	P	黄铜	镀镍
2	LC5-5.08-夹子	1036B0001AV	P	磷青铜	镀镍
1	LC5M-5.08-主体	1036M0YXXAV	1	PA66	UL94, V-0
NO.	NAME OF PART	NO. OF PART	QTY	MATERIAL	NOTES
DES.	xlm	DATE	2012/3/16	UNITS	mm
CHK.		DATE		SIZE	A4
APP.		DATE		SCALE	DWG NO. SP-1-1036M01 REV: V0

